

RS-232 To RS-422 / 485

Model no. SC485SN



4th Edition, Nov. 2011

Specification

- **RS-232:**
 - Connector: Male DB9
 - Signals: TxD, RxD, GND
 - Loop back: RTS to CTS is shorted; DTR to DSR and DCD is shorted
 - Baud Rate: 300 bps to 115.2 Kbps
 - ESD Protect: 15 KV
- **RS-422/485:**
 - Connector: Terminal
 - RS-422 Signals: TxD+, TxD-, RxD+, RxD- (Surge Protect)
 - RS-485 Signals: Data+, Data- (Surge Protect)
 - Mode: 4-wire RS-422, 2-wire RS-485 (Select RS-422 or RS-485 by DIP Switch)
 - Pull High/Low: 1K/1K Ohm
- **COM Port Power:**
 - Input Power: RS-232 Port Power, TxD, RTS, DTR
- **External Power Adapter:**
 - Power Protect: YES
 - Power: 5~7V DC
 - Power consumption: 20 mA @ 5V DC (termination disabled)
- **Signal LED: Tx, Rx**
- **Distance: up to 4,000 feet (1,250 M)**
- **Dimension: 55 x 40 x 25 mm (W x D x H)**
- **Weight: 35 gm**
- **Environment**
 - Operating Temperature: 0~60°C
 - Storage Temperature: -20 to 85°C
 - Humidity: 5~95 % RH

Wiring Diagram

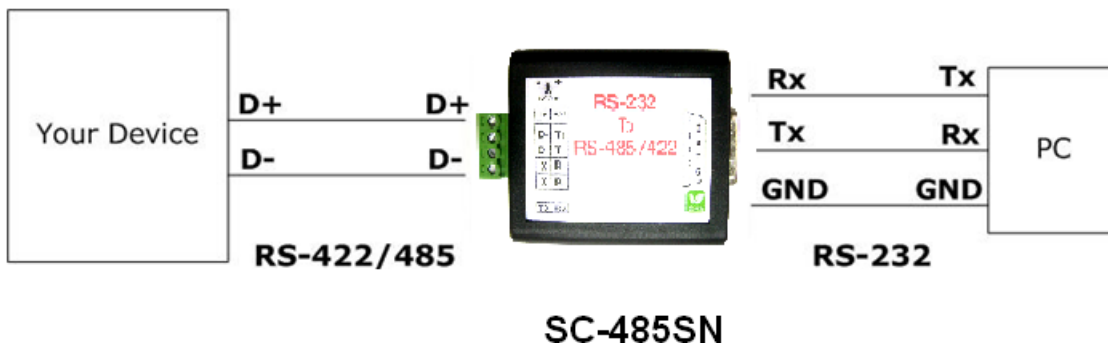
❑ Point To Point: RS-422 Full-duplex (4 wires)

DIP switch please select “FULL”.



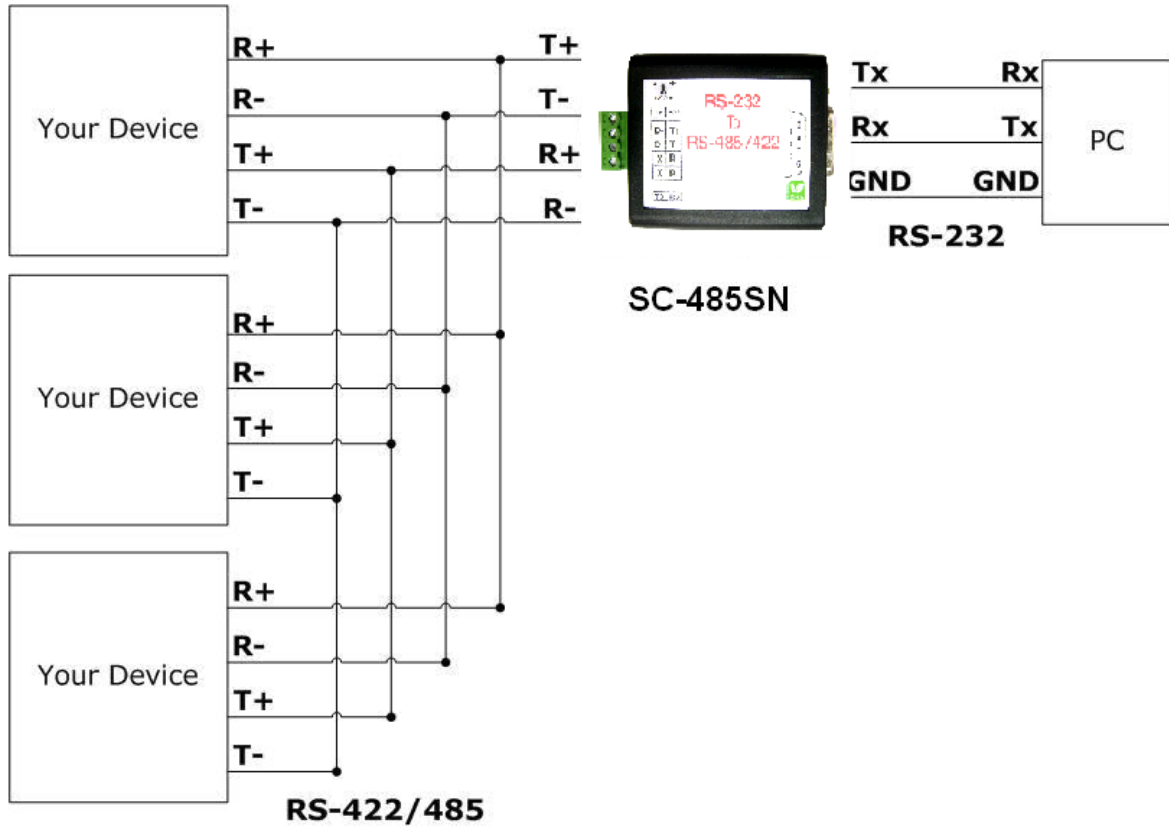
❑ Point To Point: RS-485 Half-duplex (2 wires)

DIP switch please select “HALF”.



Wiring Diagram

❑ Multi-drop: RS-422 Full-duplex (4 wires)



❑ Multi-drop: RS-485 Half-duplex (2 wires)

